

series
SKYMAX
 RM-450W-182M/108TB

N-TOPCon
 Bifacial Monocrystalline Module

- Light Redirecting Film: Ronma TOPCON modules use gap Light Redirecting Film technology to ensure the bifaciality and reliability of the module, meanwhile effectively increasing the power performance.
- No-Destructive Cutting: Ronma cells-cutting is using NDC (non-destructive) cutting technology, the cutting surface is smooth, which avoids the loss of the mechanical structure of the cells and ensures sufficient current.
- Junction Box Laser Welding Technology: Ronma uses the high energy density and precise positioning control capabilities of the laser to achieve high-quality welding. It can accurately control the junction box welding position and welding time to ensure welding quality and reliability, to improve module safety.

1722×1134×35/30 **182×91.87**

Dimensions (mm) Cell size (mm)

108 CELL **425-450Wp**

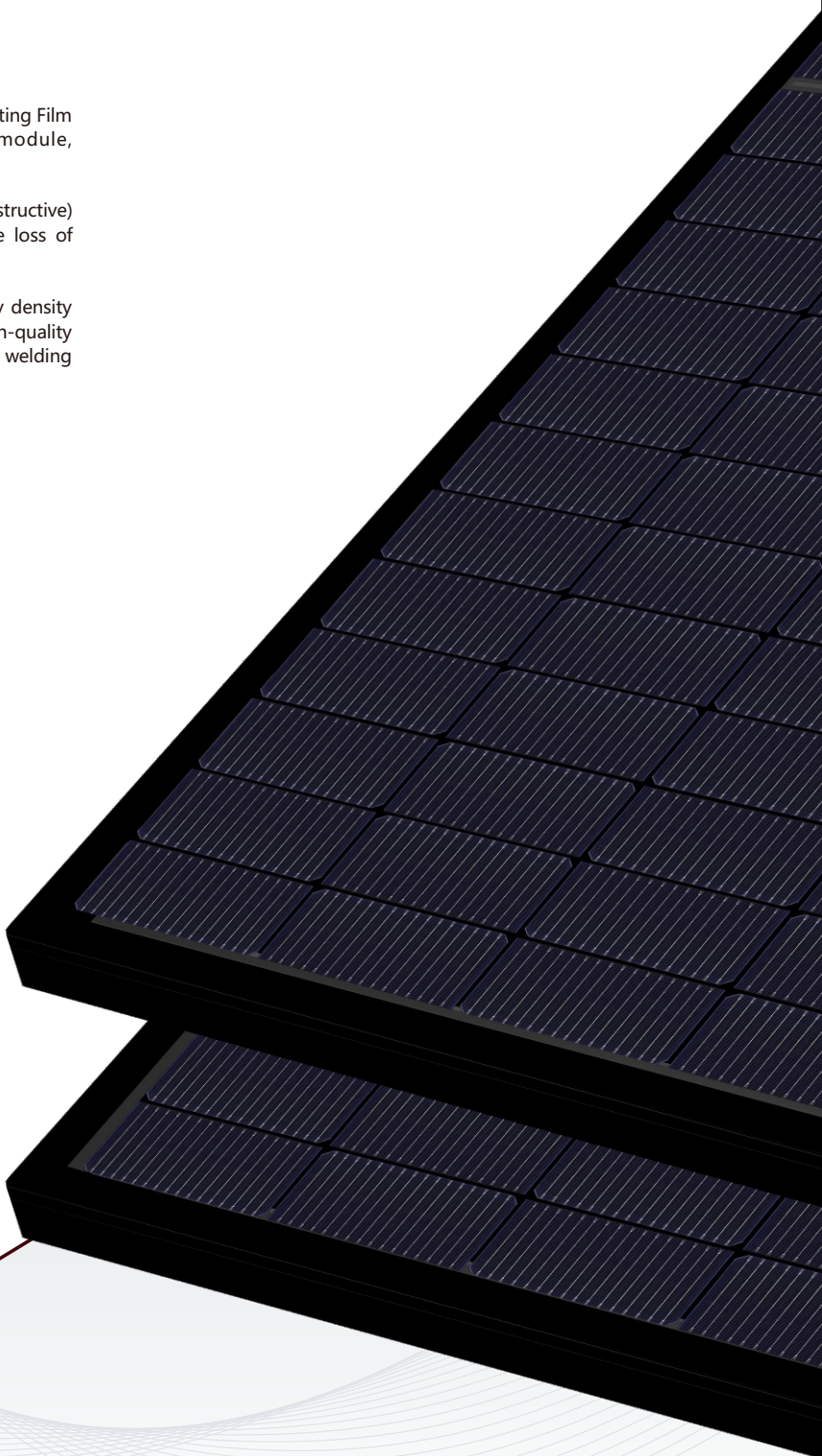
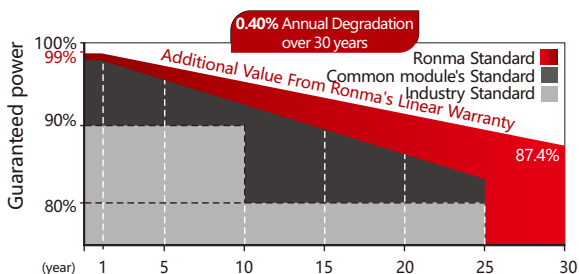
Mono TOPCon Power output

1500V DC **22.52%**

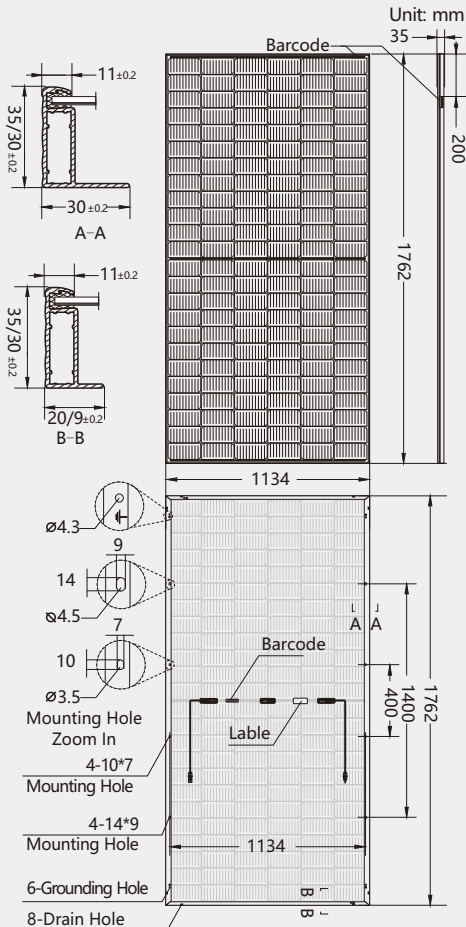
Max. system voltage Max. efficiency

LINEAR PERFORMANCE WARRANTY

15-year product warranty / 30-year linear power warranty

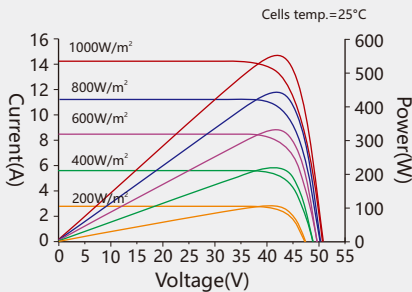


Dimensions of PV Module

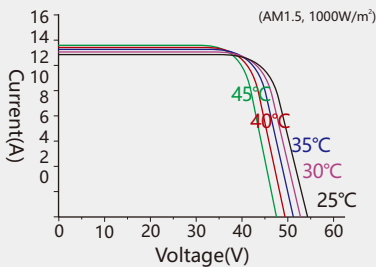


RM-435W-182M/120TB

I-V characteristics at different irradiances



I-V characteristics at different temperatures



ELECTRICAL CHARACTERISTICS (STC*)

Rated Power in Watts-Pmax(Wp)	425	430	435	440	445	450
Open Circuit Voltage-Voc(V)	39.04	39.18	39.35	39.52	39.69	39.86
Short Circuit Current-Isc(A)	13.59	13.64	13.70	13.76	13.82	13.88
Max. Power Voltage-Vmpp(V)	33.15	33.34	33.52	33.73	33.91	34.09
Max. Power Current-Impp(A)	12.83	12.90	12.98	13.05	13.12	13.19
Module Efficiency(%)	21.27	21.52	21.77	22.02	22.27	22.52
Maximum system voltage	1500V DC					
Fuse Rating(A)	30					
Temperature coefficient Pmax	-0.29%/°C					
Temperature coefficient Isc	0.045%/°C					
Temperature coefficient Voc	-0.25%/°C					
Refer. Bifacial Factor	80±5%					

*STC: Irradiance 1000W/m², module temperature 25°C, AM=1.5

WORKING CHARACTERISTICS (NOCT*)

Rated Power in Watts-Pmax(Wp)	317	320	324	328	331
Open Circuit Voltage-Voc(V)	36.85	36.98	37.14	37.30	37.47
Short Circuit Current-Isc(A)	10.98	11.02	11.07	11.12	11.17
Max. Power Voltage-Vmpp(V)	31.03	31.21	31.38	31.58	31.74
Max. Power Current-Impp(A)	10.21	10.27	10.33	10.38	10.44
Power tolerance	0~+3%				
NOCT	45°C±2°C				
Operating Temperature	-40°C~85°C				

*NOCT: Irradiance 800W/m², ambient temperature 20°C, wind speed 1m/s

MECHANICAL CHARACTERISTICS

Number of cells	108pcs	Type of frame	Anodized Aluminum Alloy
Size of cell(mm)	182×91.87	Size of module(mm)	1722×1134×35/30
Type of cell	N-TOPCon Mono	Weight(kg)	25.5
Thickness of glass(mm)	2.0	Cables/connectors	4.0mm ² , MC4 compatible
Junction box	IP68, 1500V DC, 3 Diodes	Length of Cable	+300mm/-200mm (connector included)
Length can be customized			

PACKAGING CONFIGURATION

Height of Modules (mm)	35	30
Number of Modules Per Pallet	31	36
Packaging Box Dimensions (l×w×h) (mm)	1750×1120×1260	1750×1120×1260
Box Gross Weight (kg)	706	802
Number of Modules Per 40ft (HQ) Container	806	936
Number of Pallets Per 40ft (HQ) Container	26	26

CAUTION: READ SAFETY AND INSTALLATION INSTRUCTIONS BEFORE USING THE PRODUCT
©2023 Ronma Solar. All rights reserved. Specifications included in this datasheet are subject to change without notice.

